

SM_UPC_ADA_V1

VERSION: 1.0

REVISION: B

Rev.	Date	Author	Notes / Modifications

NOTES:



SELETRONICA

Open Source Hardware
Licensed under Creative Commons Share Alike 3.0
Archimede and Pitagora project name are Seletronica trademark
<http://creativecommons.org/licenses/by-sa/3.0/us/>

Project
SM_UPC_ADA_V1

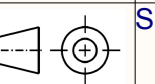
Designed by:
Seletronica Team

Revised by:
Seletronica Team

Document number
1012 - SM_UPC_ADA_COVER.SchDoc

Date: 22/05/2013

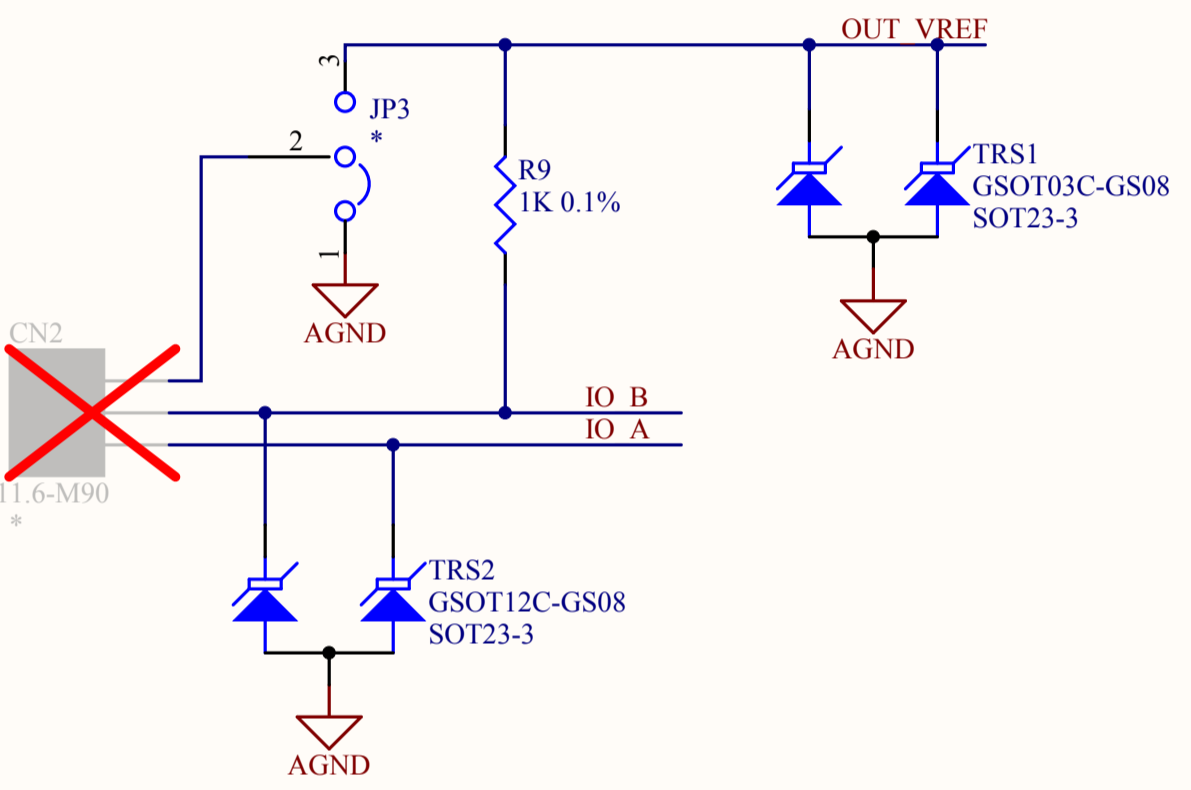
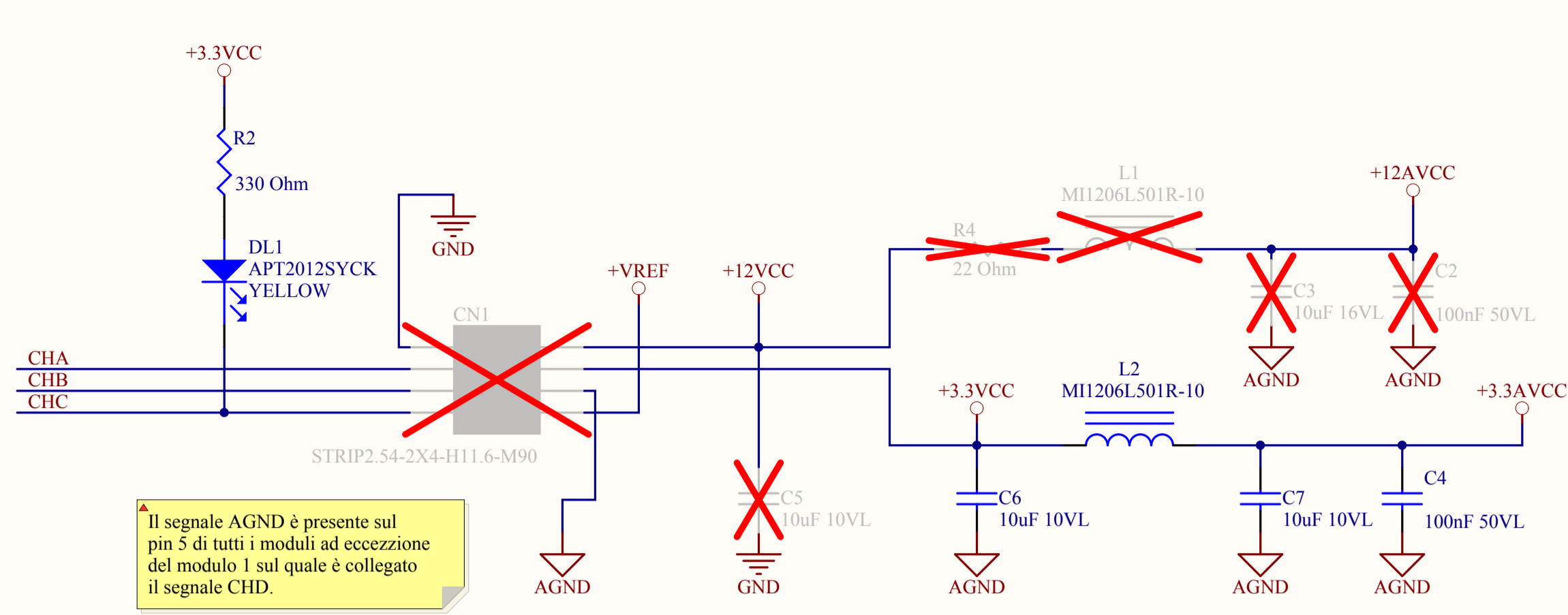
Sheet 1 of 2



Ver.
1.0

Rev.
B

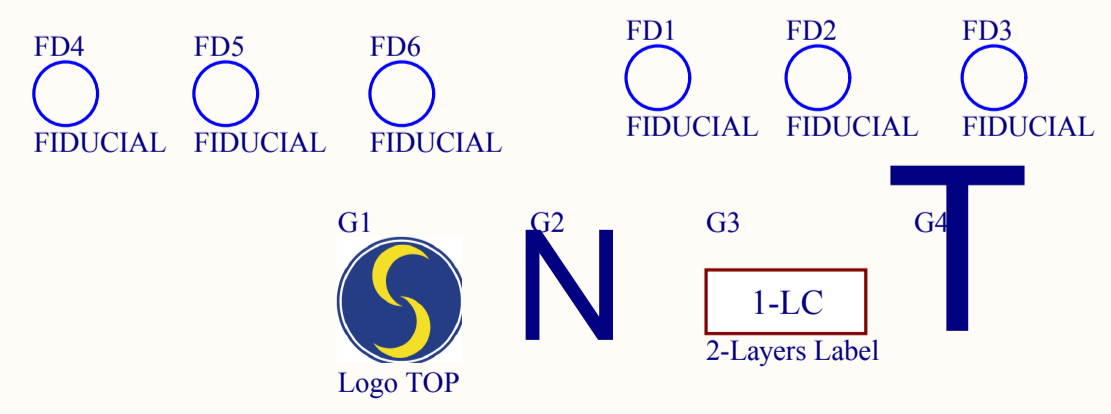
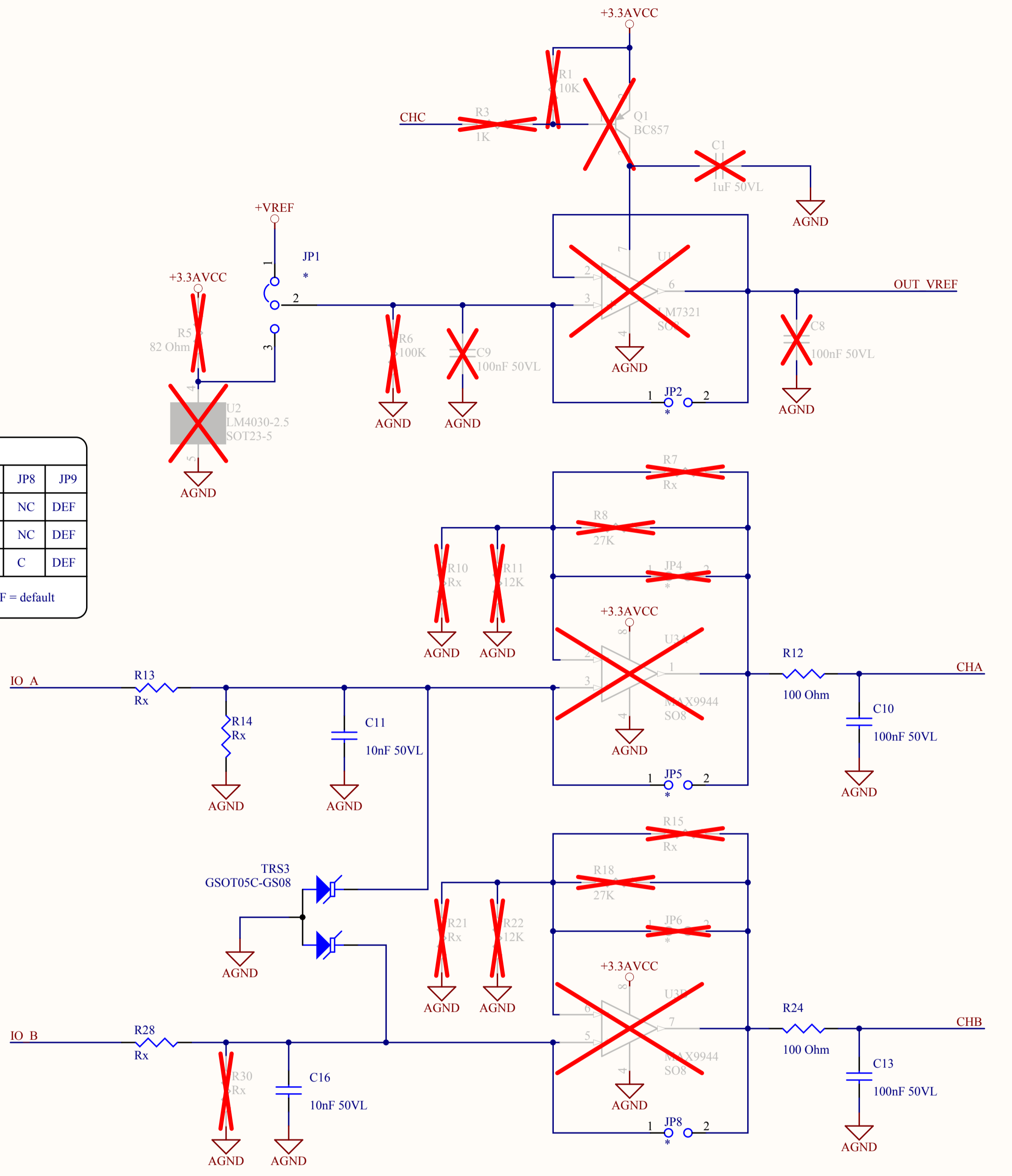
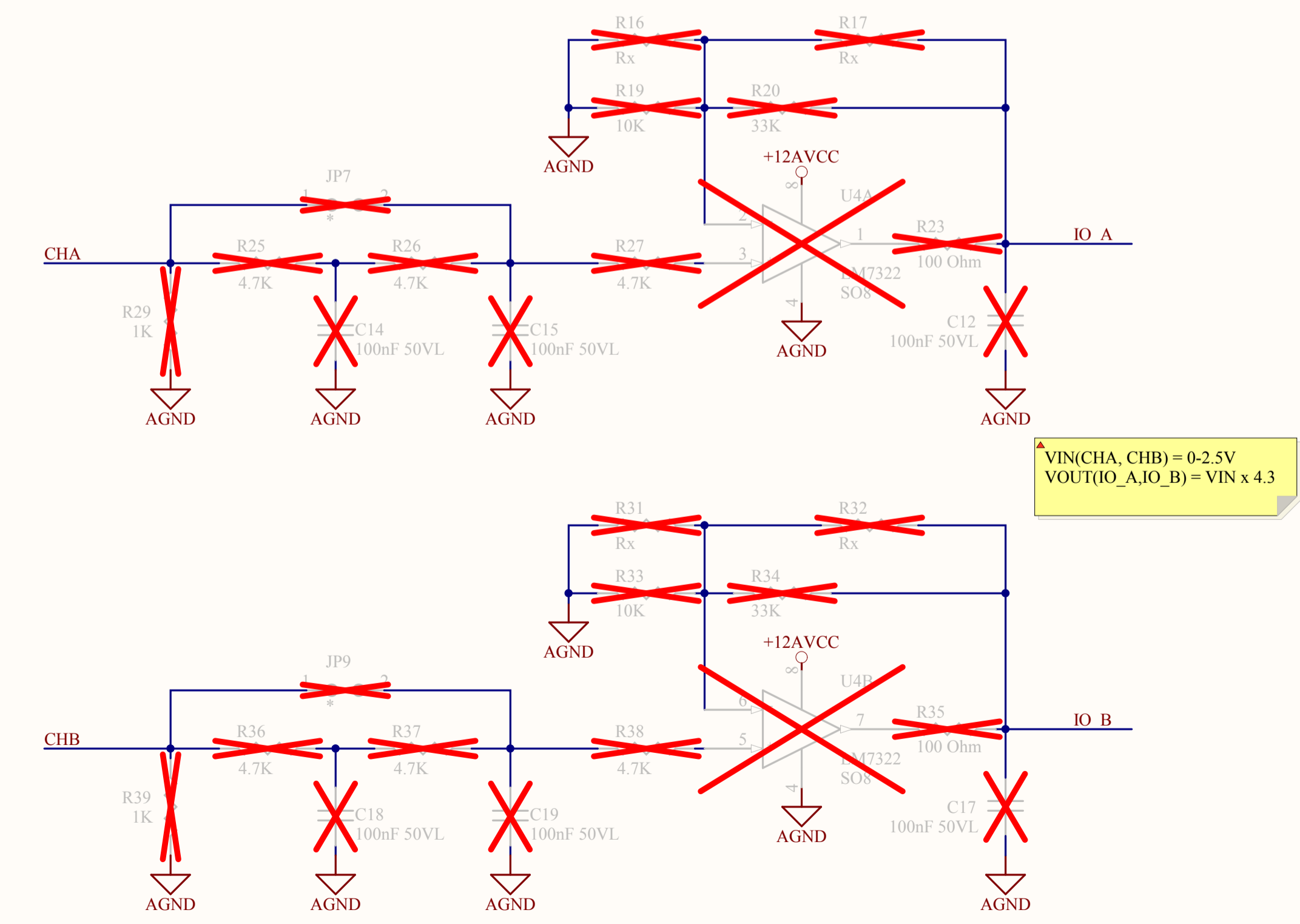
Size
A4



Configurazione dei jumpers

Variante scheda	JP1	JP2	JP3	JP4	JP5	JP6	JP7	JP8	JP9
ADC buffer	DEF	C	C	NC	C	NC	NC	NC	DEF
ADC no buffer	DEF	C	NC	C	NC	C	NC	NC	DEF
DAC	DEF	NC	NC	NC	NC	NC	C	C	DEF

* = deciso dall'utilizzatore finale (vedi datasheet), C = connesso, NC = non connesso, DEF = default



Project: SM_UPC_ADA_V1
 Designed by: Seletronica Team
 Document number: 1012 - SM_UPC_ADA_V1.SchDoc
 Date: 22/05/2013

Revised by: Seletronica Team
 Size: A3
 Sheet 2 of 2

Ver. 1.0
 Rev. B