

SM_UPC_REL_V1

VERSION: 1.0

REVISION: B

Rev.	Date	Author	Notes / Modifications

NOTES:



SELETRONICA

Open Source Hardware
Licensed under Creative Commons Share Alike 3.0
Archimede and Pitagora project name are Seletronica trademark
<http://creativecommons.org/licenses/by-sa/3.0/us/>

Project
SM_UPC_REL_V1

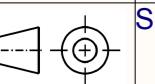
Designed by:
Seletronica Team

Revised by:
Seletronica Team

Document number
1112 - SM_UPC_REL_COVER.SchDoc

Date: 22/05/2013

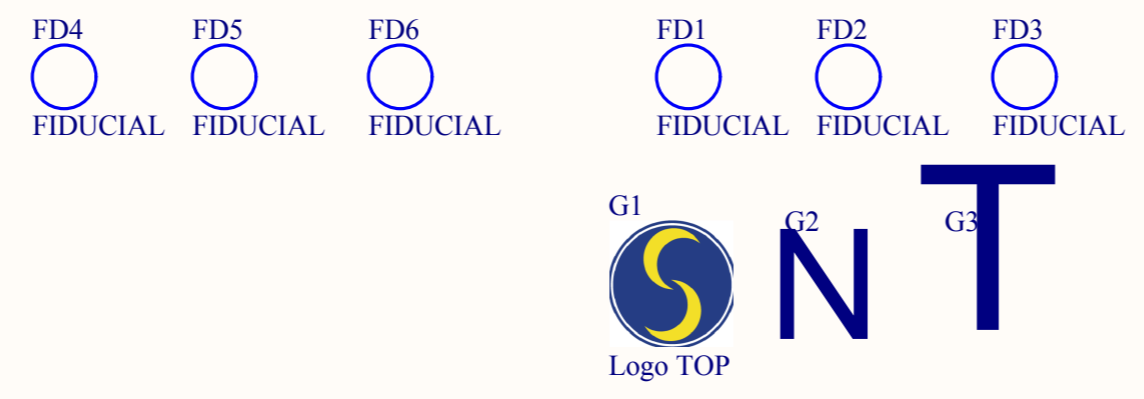
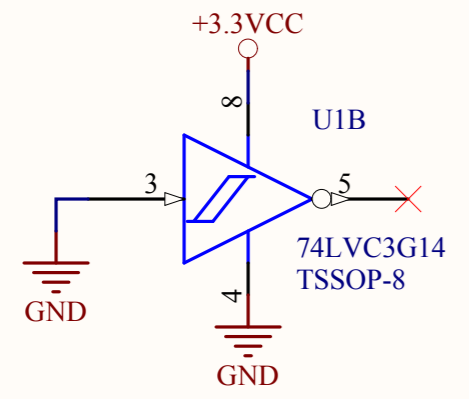
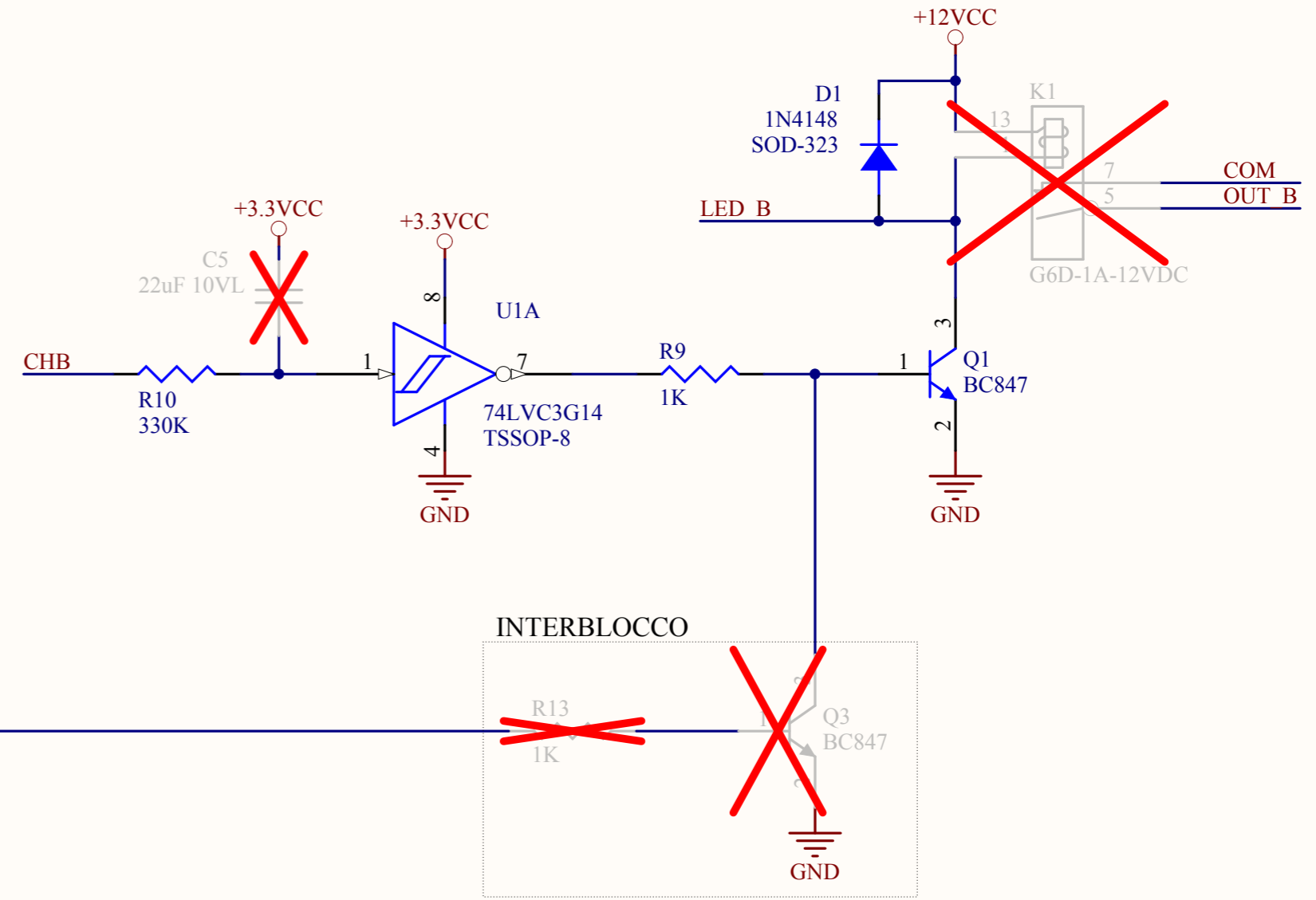
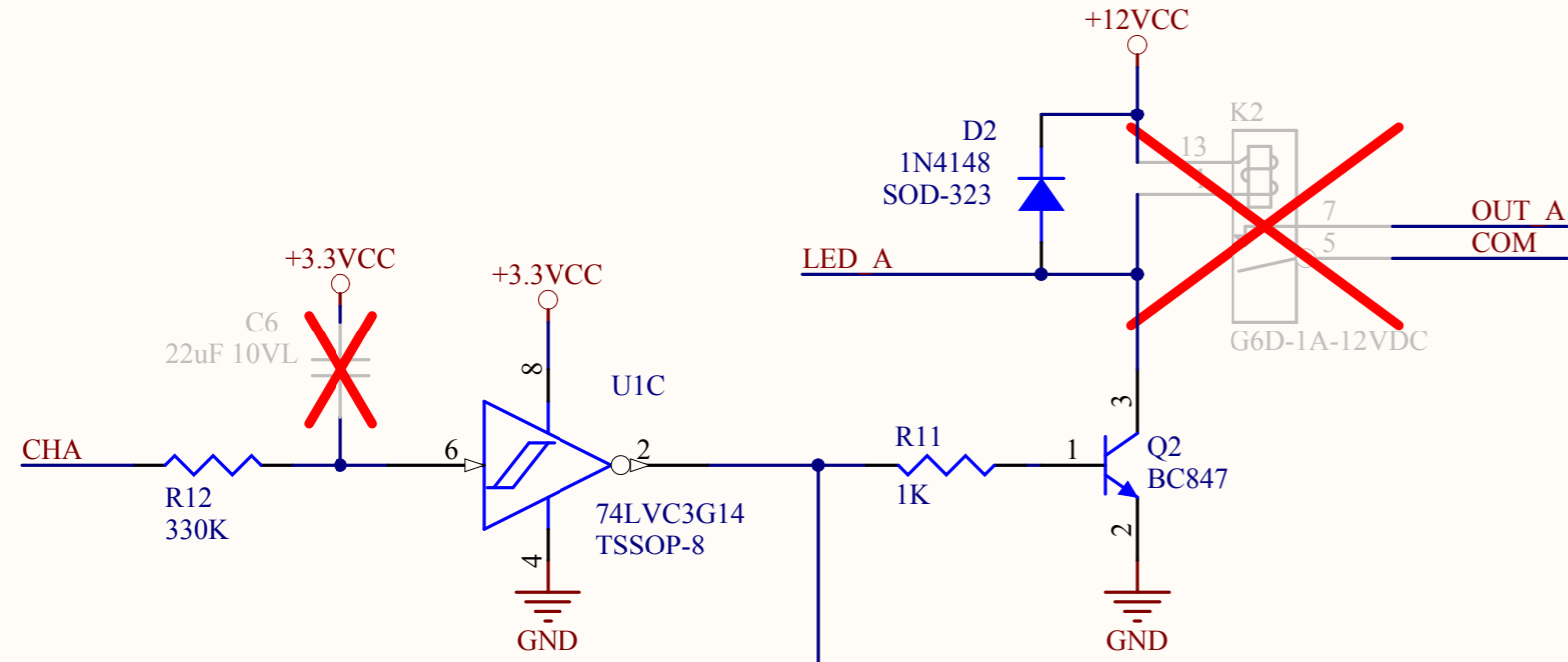
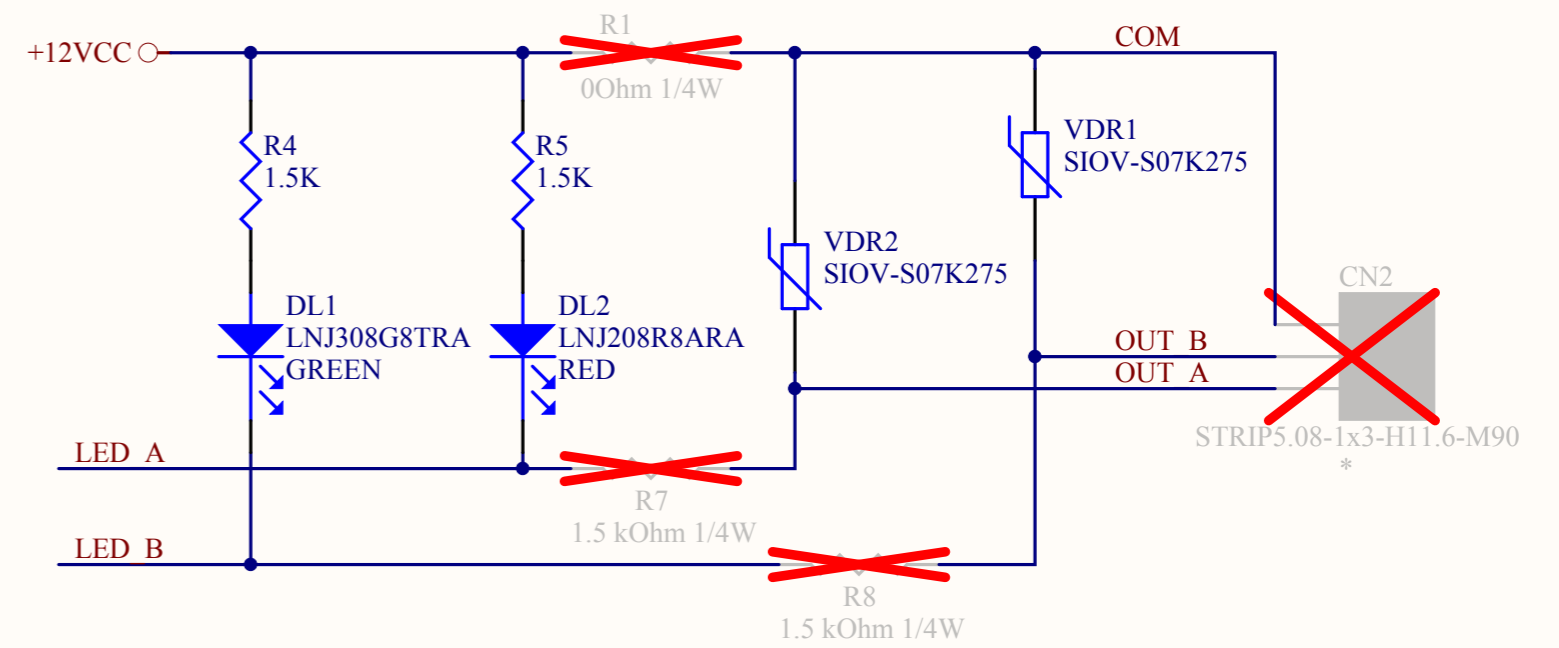
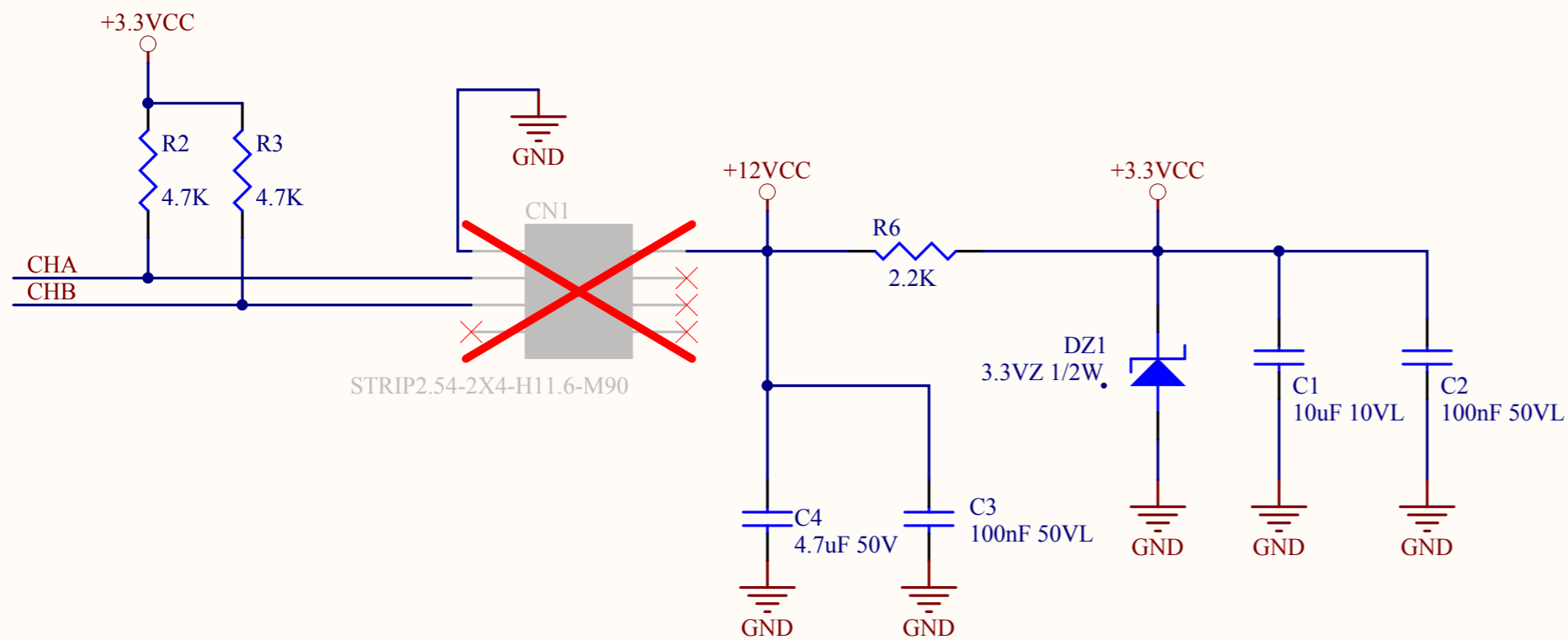
Sheet 1 of 2



Ver.
1.0

Rev.
B

Size
A4



SELETRONICA

Project SM_UPC_REL_V1		Ver. 1.0
Designed by: Seletronica Team	Revised by: Seletronica Team	Rev. B
Document number 1112 - SM_UPC_REL_V1.SchDoc		Size A4
Date: 22/05/2013		Sheet 2 of 2